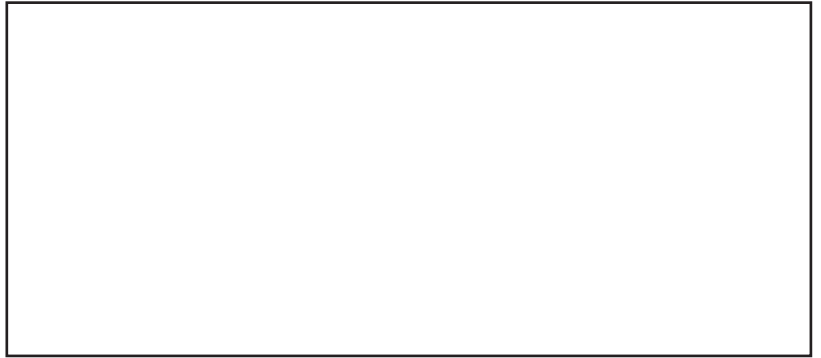


SR Street Lights(80/100/120W)



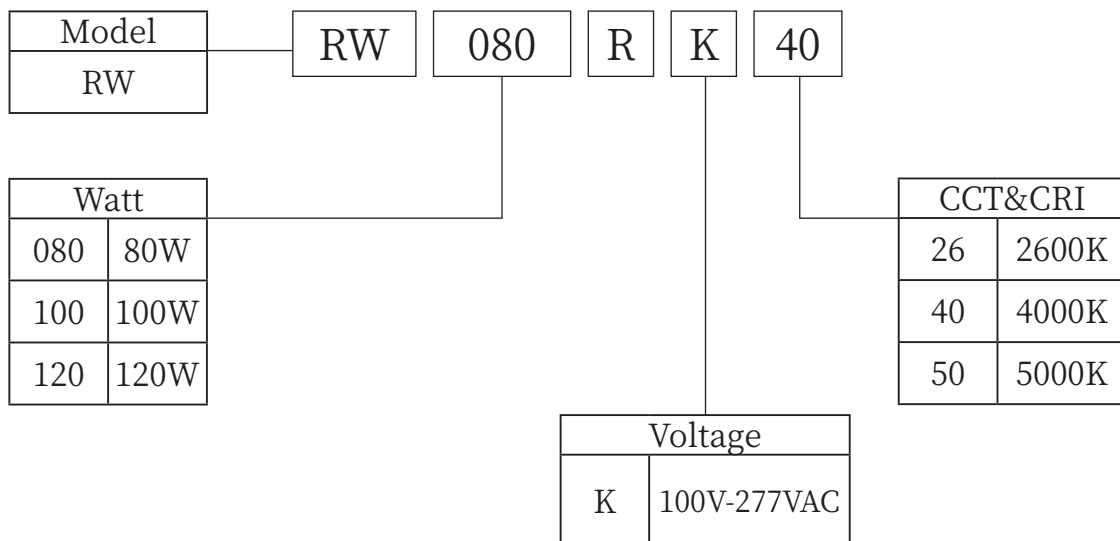
Certification



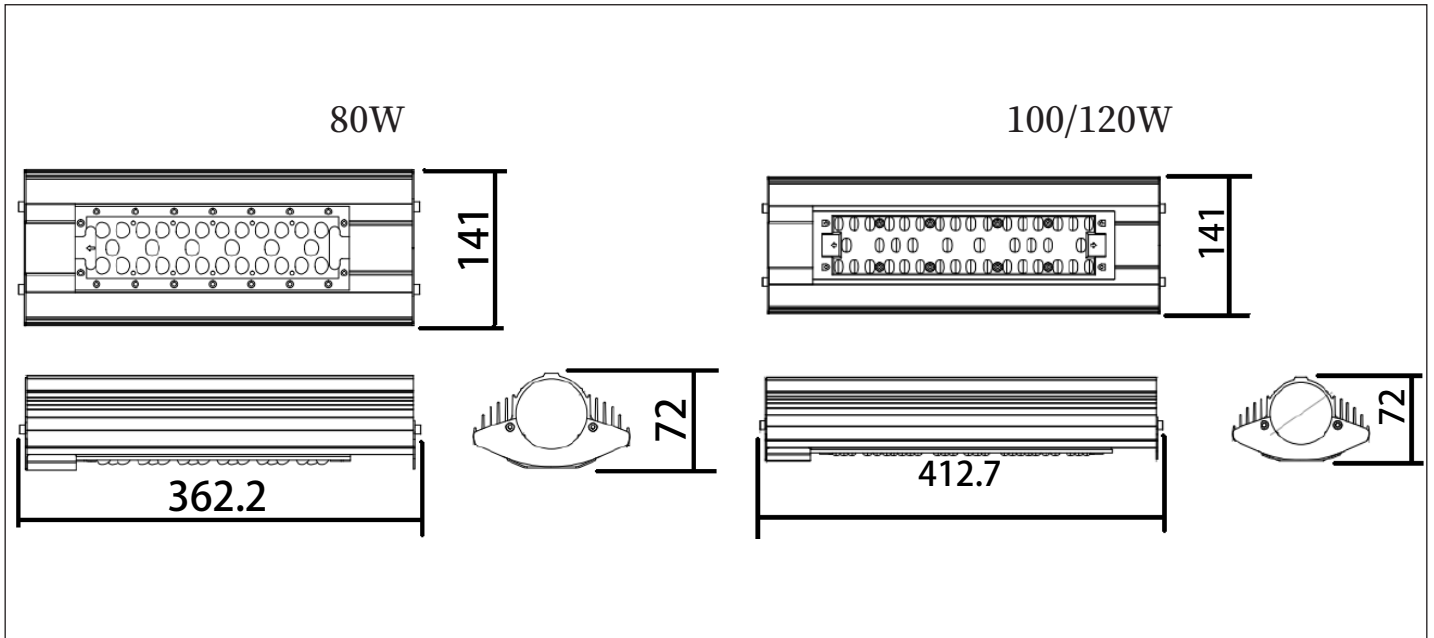
Basic Product Specification

<p>Application Capable of standing 17 degree of wind velocity</p> <p>Working Temperature: -10°C to 40°C</p>	<p>Mechanical Housing: Aluminum Alloy Setting Type: -</p> <p>Weight: 3.5kg</p>
<p>Optical Lumen: 9,000Lm-16,800Lm CCT: 2600K/4000K/5000K CRI: Ra ≥ 70 Beam Angle: X-110° Y-150°</p>	<p>Electrical Voltage: 120-277VAC Watt: 80/100/120W Power Factor: >0.9</p>

Product Code Rule **SR Street Lights 80W 4000K**



Dimensions



Optical Diagram

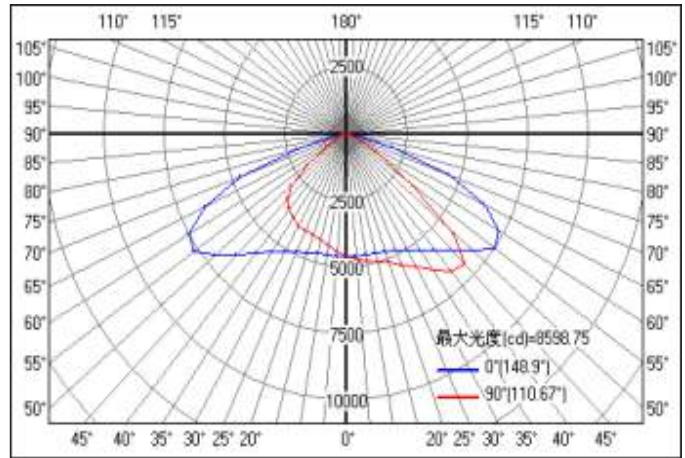
Lux at a distance

Distribution

RW0802K26

Distance (m)	Lux (lx)	Left Radius (cm)	Right Radius (cm)
1 m	43 lx	889 cm	282 cm
2 m	11 lx	1779 cm	564 cm
3 m	5 lx	2668 cm	846 cm
4 m	3 lx	3558 cm	1128 cm
5 m	2 lx	4447 cm	1410 cm
6 m	1 lx	5337 cm	1692 cm
7 m	1 lx	6226 cm	1974 cm
8 m	1 lx	7116 cm	2256 cm
9 m	1 lx	8005 cm	2538 cm
10 m	0 lx	8895 cm	2820 cm

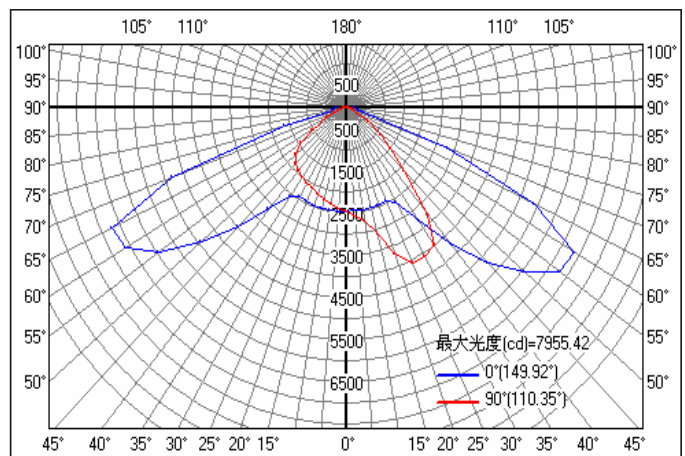
Vert. Spread: 154.6 deg. Horiz. Spread: 109.1 deg.



RW080RG40

Distance (m)	Lux (lx)	Left Radius (cm)	Right Radius (cm)
1 m	2440 lx	289 cm	754 cm
2 m	610 lx	578 cm	1507 cm
3 m	271 lx	866 cm	2261 cm
4 m	152 lx	1155 cm	3014 cm
5 m	98 lx	1444 cm	3768 cm
6 m	68 lx	1733 cm	4522 cm
7 m	50 lx	2022 cm	5275 cm
8 m	38 lx	2311 cm	6029 cm
9 m	30 lx	2599 cm	6782 cm
10 m	24 lx	2888 cm	7536 cm

Vert. Spread: 110.3 deg. Horiz. Spread: 149.9 deg.

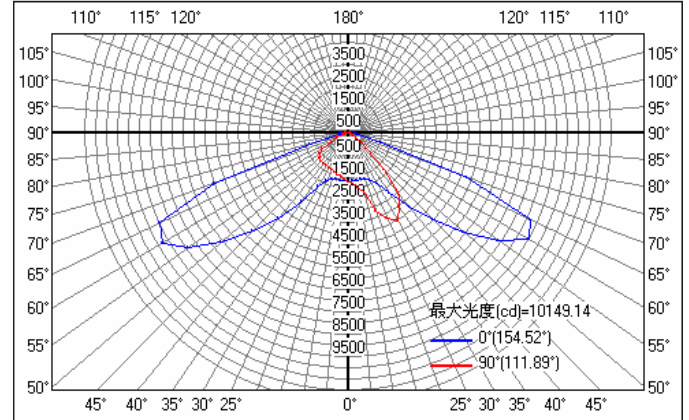


Optical Diagram

Lux at a distance

Distance (m)	Lux (lx)	Beam Diameter (cm)	Beam Diameter (cm)
1 m	1828 lx	299 cm	774 cm
2 m	457 lx	598 cm	1547 cm
3 m	203 lx	897 cm	2321 cm
4 m	114 lx	1196 cm	3094 cm
5 m	73 lx	1495 cm	3868 cm
6 m	51 lx	1794 cm	4642 cm
7 m	37 lx	2093 cm	5415 cm
8 m	29 lx	2392 cm	6189 cm
9 m	23 lx	2691 cm	6962 cm
10 m	18 lx	2990 cm	7736 cm

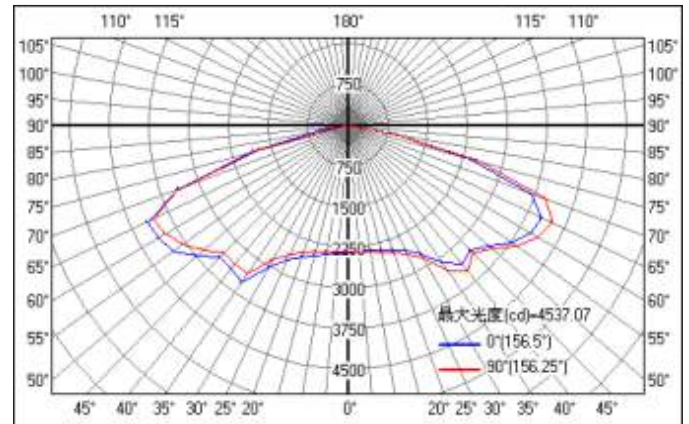
RW080RG50



Distribution

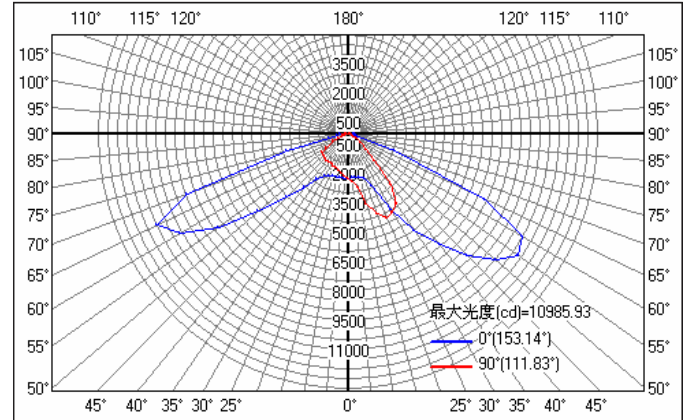
Distance (m)	Lux (lx)	Beam Diameter (cm)	Beam Diameter (cm)
1 m	2125 lx	307 cm	885 cm
2 m	531 lx	614 cm	1770 cm
3 m	236 lx	921 cm	2655 cm
4 m	133 lx	1228 cm	3540 cm
5 m	85 lx	1535 cm	4425 cm
6 m	59 lx	1841 cm	5310 cm
7 m	43 lx	2148 cm	6195 cm
8 m	33 lx	2455 cm	7080 cm
9 m	26 lx	2762 cm	7964 cm
10 m	21 lx	3069 cm	8849 cm

RW100RG27



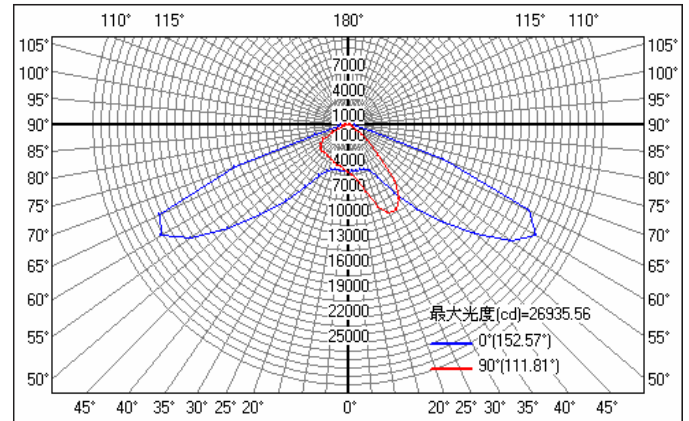
RW100RG40

Distance (m)	Lux (lx)	Beam Diameter (cm)	Beam Diameter (cm)
1 m	2209 lx	306 cm	887 cm
2 m	552 lx	612 cm	1774 cm
3 m	245 lx	917 cm	2661 cm
4 m	138 lx	1223 cm	3548 cm
5 m	88 lx	1529 cm	4435 cm
6 m	61 lx	1835 cm	5322 cm
7 m	45 lx	2141 cm	6209 cm
8 m	35 lx	2446 cm	7096 cm
9 m	27 lx	2752 cm	7983 cm
10 m	22 lx	3058 cm	8870 cm



RW100RG50

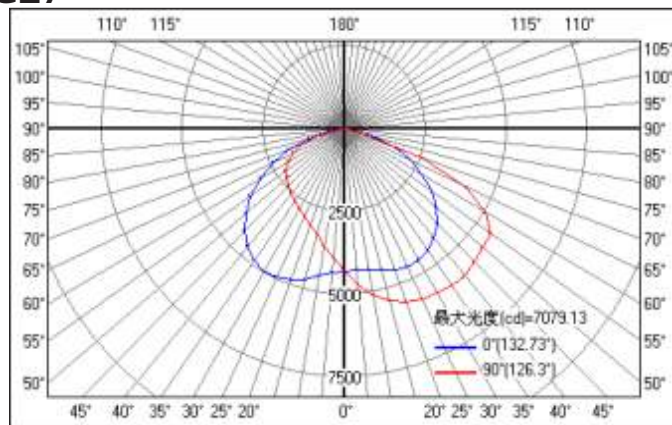
Distance (m)	Lux (lx)	Beam Diameter (cm)	Beam Diameter (cm)
1 m	2209 lx	306 cm	887 cm
2 m	552 lx	612 cm	1774 cm
3 m	245 lx	917 cm	2661 cm
4 m	138 lx	1223 cm	3548 cm
5 m	88 lx	1529 cm	4435 cm
6 m	61 lx	1835 cm	5322 cm
7 m	45 lx	2141 cm	6209 cm
8 m	35 lx	2446 cm	7096 cm
9 m	27 lx	2752 cm	7983 cm
10 m	22 lx	3058 cm	8870 cm



Optical Diagram

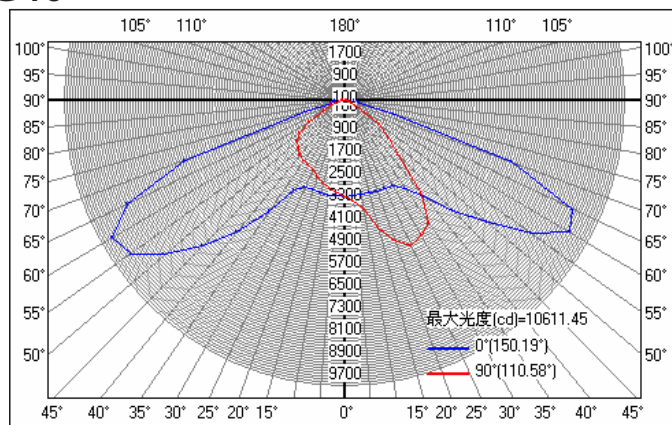
RW120RG27

1 m	5548 lx	305 cm	823 cm
2 m	1387 lx	610 cm	1645 cm
3 m	616 lx	916 cm	2468 cm
4 m	347 lx	1221 cm	3291 cm
5 m	222 lx	1526 cm	4113 cm
6 m	154 lx	1831 cm	4936 cm
7 m	113 lx	2137 cm	5759 cm
8 m	87 lx	2442 cm	6581 cm
9 m	68 lx	2747 cm	7404 cm
10 m	55 lx	3052 cm	8227 cm



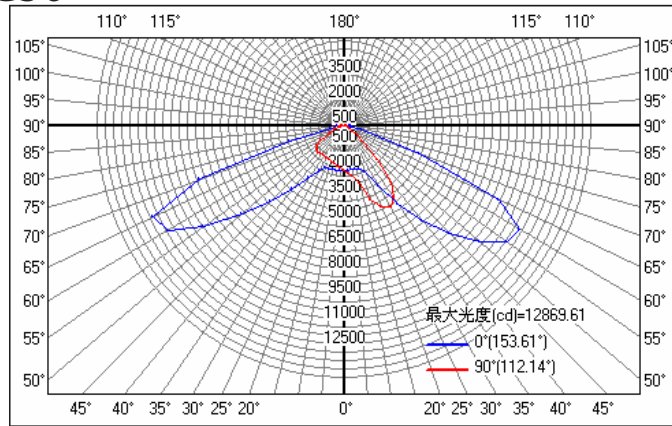
RW120RG40

1 m	3399 lx	290 cm	752 cm
2 m	850 lx	581 cm	1503 cm
3 m	378 lx	871 cm	2255 cm
4 m	212 lx	1161 cm	3007 cm
5 m	136 lx	1451 cm	3758 cm
6 m	94 lx	1742 cm	4510 cm
7 m	69 lx	2032 cm	5262 cm
8 m	53 lx	2322 cm	6013 cm
9 m	42 lx	2612 cm	6765 cm
10 m	34 lx	2903 cm	7517 cm



RW120RG50

1 m	50 lx	353 cm	
2 m	12 lx	706 cm	
3 m	6 lx	1059 cm	
4 m	3 lx	1412 cm	
5 m	2 lx	1764 cm	
6 m	1 lx	2117 cm	
7 m	1 lx	2470 cm	
8 m	1 lx	2823 cm	
9 m	1 lx	3176 cm	
10 m	0 lx	3529 cm	



Product Number & Technical Detail



Watt	Voltage	Lumen	Angle
80W	100-277V	9,000Lm	X-110° Y-150°
CCT	CRI	Efficiency	Weight
2600K	Ra ≥ 70	120Lm/W	3.5kg

Mounting	Model Number
Street Lights	RW0802K26



Watt	Voltage	Lumen	Angle
80W	100-277V	11,200Lm	X-110° Y-150°
CCT	CRI	Efficiency	Weight
5000K	Ra ≥ 70	140Lm/W	3.5kg

Mounting	Model Number
Street Lights	RW080RG50



Watt	Voltage	Lumen	Angle
100W	100-277V	14,000Lm	X-110° Y-150°
CCT	CRI	Efficiency	Weight
4000K	Ra ≥ 70	140Lm/W	3.5kg

Mounting	Model Number
Street Lights	RW100RG40



Watt	Voltage	Lumen	Angle
120W	100-277V	15,600Lm	X-110° Y-150°
CCT	CRI	Efficiency	Weight
2700K	Ra ≥ 70	130Lm/W	3.5kg

Mounting	Model Number
Street Lights	RW120RG27



Watt	Voltage	Lumen	Angle
120W	100-277V	16,800Lm	X-110° Y-150°
CCT	CRI	Efficiency	Weight
5000K	Ra ≥ 70	140Lm/W	3.5kg

Mounting	Model Number
Street Lights	RW120RG50



Watt	Voltage	Lumen	Angle
80W	100-277V	11,200Lm	X-110° Y-150°
CCT	CRI	Efficiency	Weight
4000K	Ra ≥ 70	140Lm/W	3.5kg

Mounting	Model Number
Street Lights	RW080RG40



Watt	Voltage	Lumen	Angle
100W	100-277V	14,000Lm	X-110° Y-150°
CCT	CRI	Efficiency	Weight
2700K	Ra ≥ 70	140Lm/W	3.5kg

Mounting	Model Number
Street Lights	RW100RG27



Watt	Voltage	Lumen	Angle
100W	100-277V	14,000Lm	X-110° Y-150°
CCT	CRI	Efficiency	Weight
5000K	Ra ≥ 70	140Lm/W	3.5kg

Mounting	Model Number
Street Lights	RW100RG50



Watt	Voltage	Lumen	Angle
120W	100-277V	16,800Lm	X-110° Y-150°
CCT	CRI	Efficiency	Weight
4000K	Ra ≥ 70	140Lm/W	3.5kg

Mounting	Model Number
Street Lights	RW120RG40